

Rockford - NACD Style

Standard Power Take-Offs

with **14" HD** Clutches

Foley Engines

Shipping Address:
200 Summer Street

Worcester, MA 01604

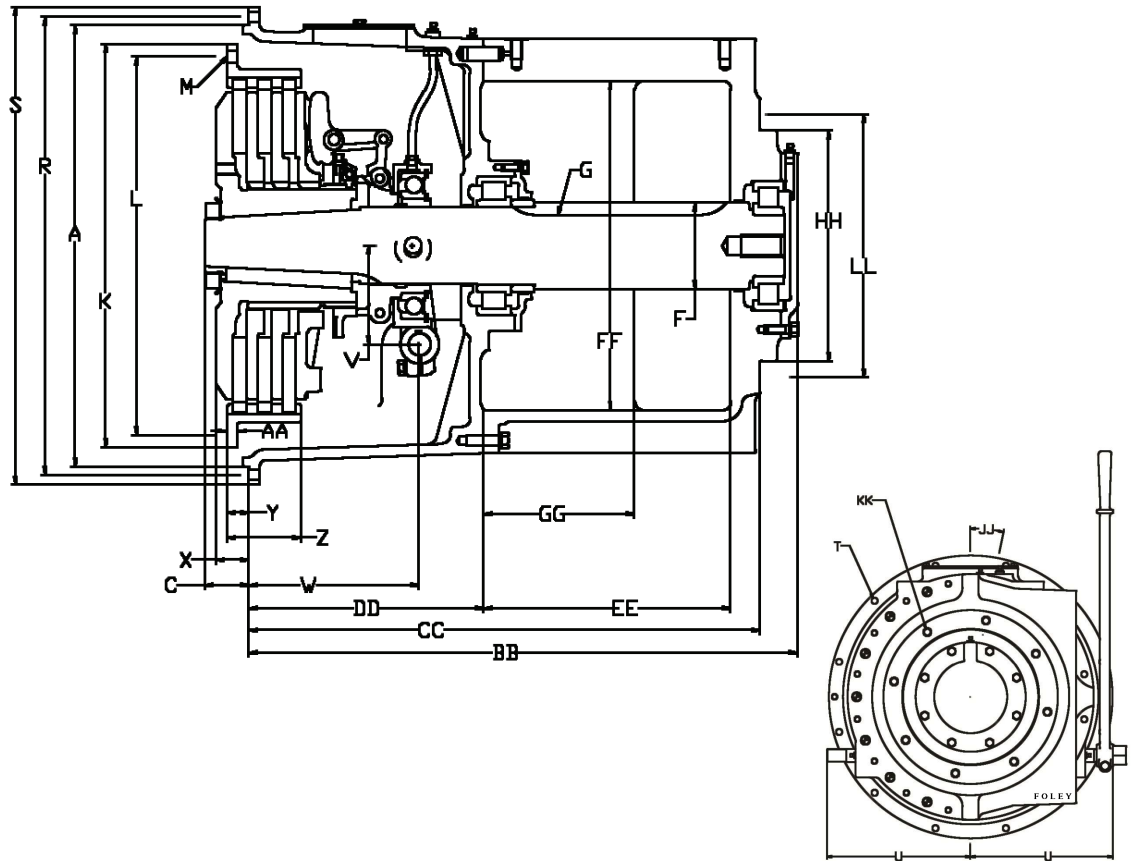
Phone:
(508) 753-2979
(800) 233-6539

Fax:
+1 (508) 831-7133

Email:
info@foleyengines.com

<https://www.foleyengines.com>

Manufacturers names, symbols and numbers are for reference purposes only and do not imply manufacturing origin.



PTO Part Number	Ball or Tapered Roller Bearing Type	Max RPM	Model			Application (in-line or side load)	Type of Facing	Type Release Bearing	Clutch Torque Capacity lb. Ft. *	A	C
			SAE Hsg Size	Clutch Size	Qty of Facings						
436086FO	Tapered	2200	1	14	3	Side Load	Organic	Ball	3150	20.125	2.00
436437FO	Tapered	2200	1	14	3	Side Load	Feramic	Ball	4035	20.125	2.00

PTO Part Number	Shaft		K	L	M (holes)			R	S	T (holes)		U	V	W
	F Dia +.000-.001	G Keyway			Qty	Dia	R			S	Qty			
436086FO	3.94	1 x 1/2	18.375	17.250	8	.531	20.875	21.75	12	.469	11.00	4.50	7.75	
436437FO	3.94	1 x 1/2	18.375	17.250	8	.531	20.875	21.75	12	.469	11.00	4.50	7.75	

PTO Part Number	X	Y	Z	AA	BB	CC	DD	EE	FF	GG	HH	JJ	KK (holes)		LL
													Qty	Dia	
436086FO	1.50	1.00	3.38	0.50	25.00	23.30	10.70	11.25	15.00	7.00 MAX	10.497	11.25°	8	.625	12.00
436437FO	1.50	1.00	3.38	0.50	25.00	23.30	10.70	11.25	15.00	7.00 MAX	10.497	11.25°	8	.625	12.00

Allowable Side Load Pulls:

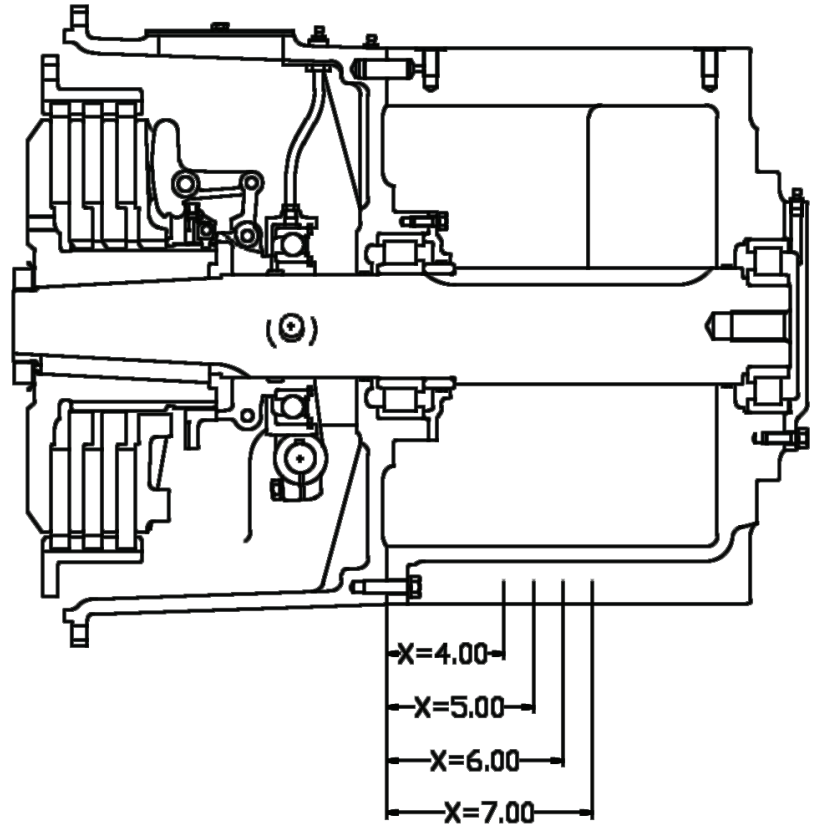
The following formula can be used to calculate applied side load. Loads are calculated on proper tensioning of belts. If belts are tightened excessively, the resulting side load can exceed these limits

$$L = \frac{126000 \times H.P.}{N \times D} \times F \times A$$

- L = Actual Applied Load (lbs.)
- N = Shaft Speed (rev./min.)
- D = Pitch Diameter of Sheaves, etc. (in.)
- F = Load Factor (see below)
 - 1.0 for chain
 - 2.5 for V belt drive
 - 3.5 for flat belt drive
- A = 1.0 for low & moderate duty drives
 - 1.4 for severe duty shock loads or large inertia loads (reciprocating compressors, crusher, chippers, planers, etc.)

Required Clutch Torque Capacity Calculation:
 Required Clutch Torque = Maximum Engine Torque x Service Factor

Blower or Vacuum	
• Centrifugal with free flow of air	1.7
• With high start-up inertia or subject to choking of air supply	4.0
Compressors	
• Reciprocating, 1 or 2 cylinders	4.0
• Reciprocating, 3 or more cylinders	2.5
• Roto screw or turbine	2.0
Conveyor	
• Fed uniformly	1.5
• Not fed uniformly	2.0
• Reciprocating	3.0
Drills	2.0
Generator	2.0
Pump	
• Centrifugal or turbine	1.5
• Dredge	2.0
• Mud or reciprocating	3.0
Rock Crusher, Hammer	3.0
Mill Snow Blower	2.0
Wood Chipper, Saw Mill	3.0



Power Take-Off Part Numbers		436086FO, 436437FO			
RPM	X" Distance				
	4"	5"	6"	7"	
1600	9612	10821	12378	11065	
1800	9278	10445	11948	10681	
2000	8989	10119	11576	10349	
2200	8736	9835	11250	10057	

Manufacturers names, symbols and numbers are for reference purposes only and do not imply manufacturing origin.